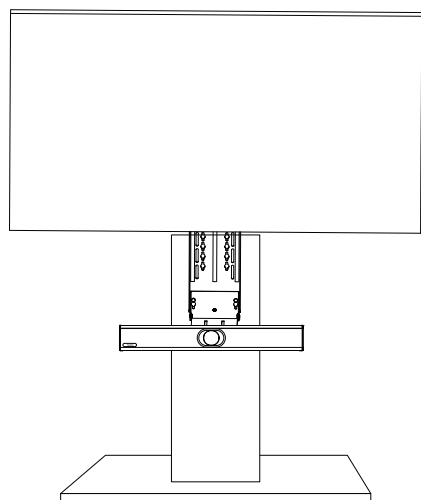




VCS-TV Mount2



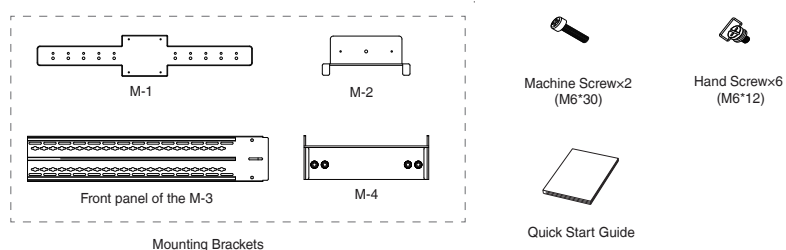
English | 简体中文

Quick Start Guide V1.0(EN,CN)

www.yealink.com

Package Contents

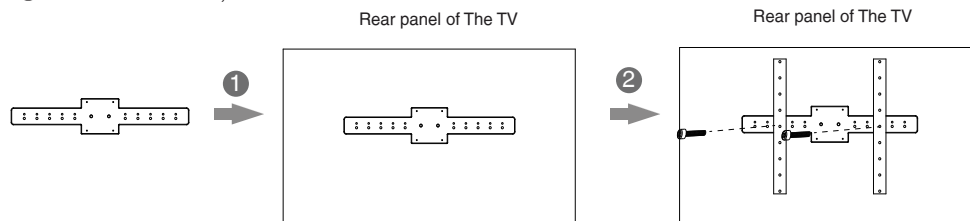
The following items are included in your package. If you find anything missing, contact your system administrator.



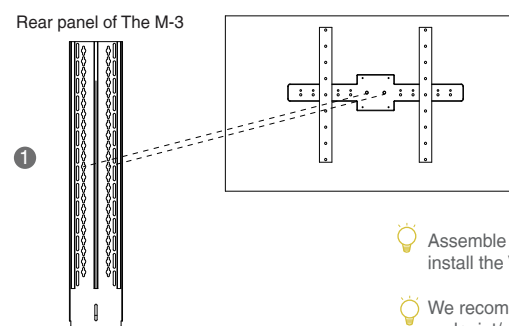
Assembling the TV Mount2

• Method1

① Assemble the M-1, as shown below:

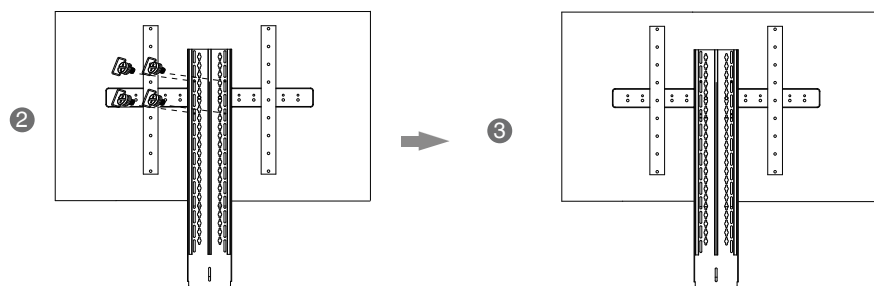


② Assemble the M-3, as shown below:

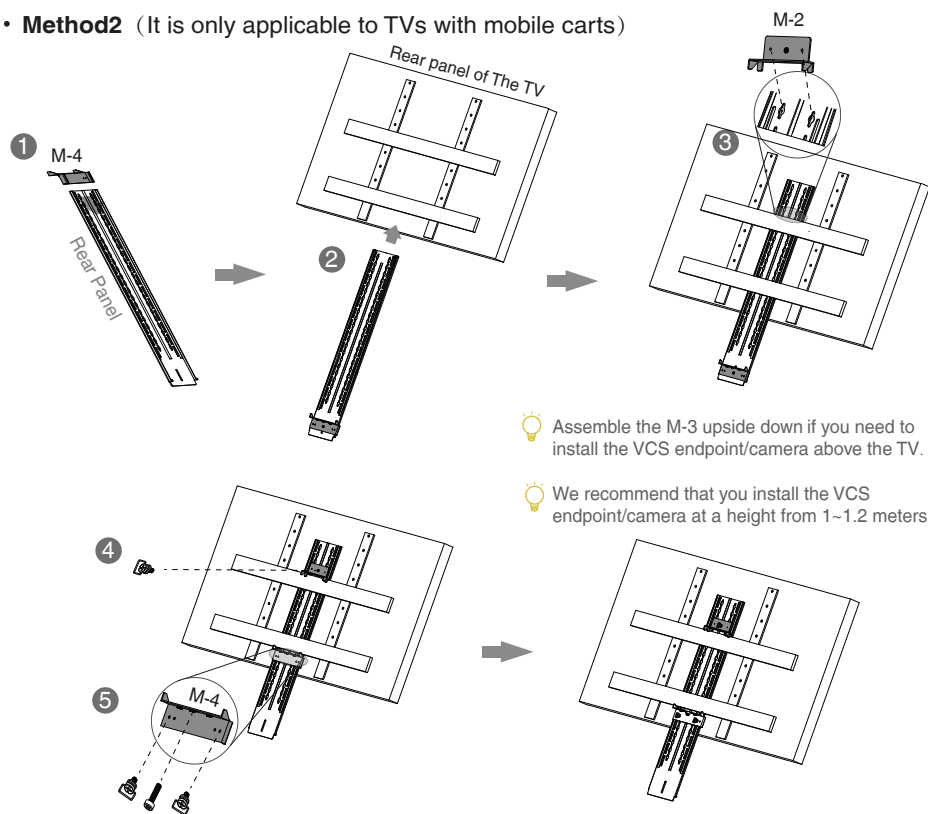


- 💡 Assemble the M-3 upside down if you need to install the VCS endpoint/camera above the TV.
- 💡 We recommend that you install the VCS endpoint/camera at a height from 1~1.2 meters.

1



• Method2 (It is only applicable to TVs with mobile carts)

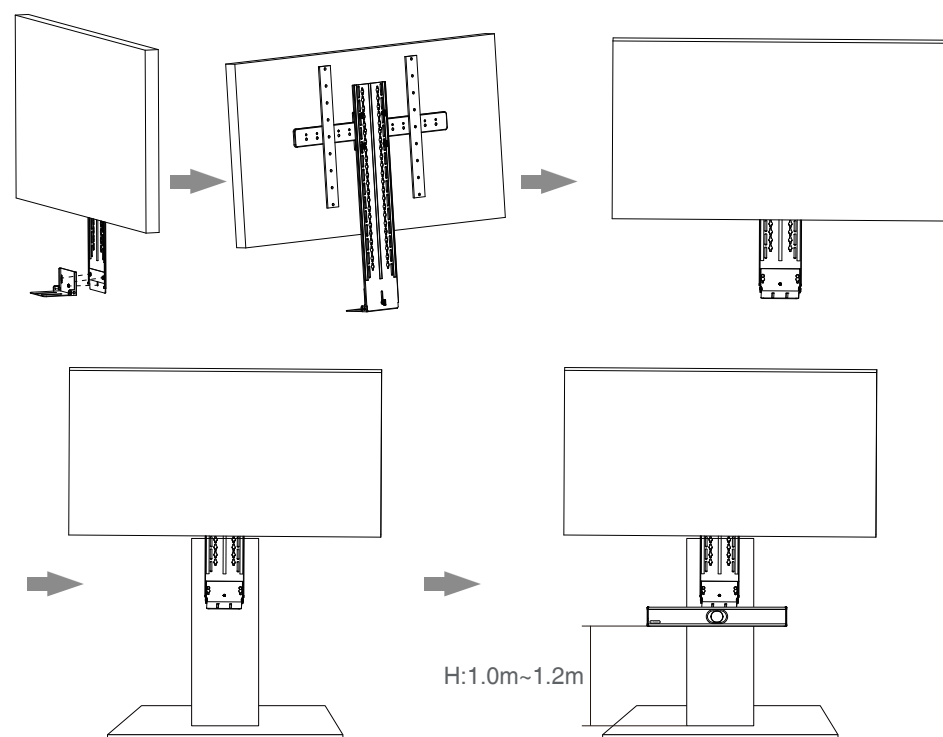


- 💡 Assemble the M-3 upside down if you need to install the VCS endpoint/camera above the TV.
- 💡 We recommend that you install the VCS endpoint/camera at a height from 1~1.2 meters.

2

Installing the MeetingEye 600/MeetingEye 400/UVC40/MeetingBar A20/MeetingBar A30

You can hang up MeetingEye 600/ MeetingEye 400/UVC40/MeetingBar A20/MeetingBar A30 on the TV mount with the same method. Following is an example of installing MeetingEye 400.

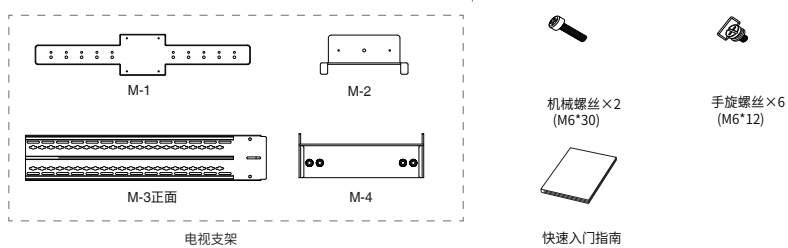


H:1.0m~1.2m

3

包装清单

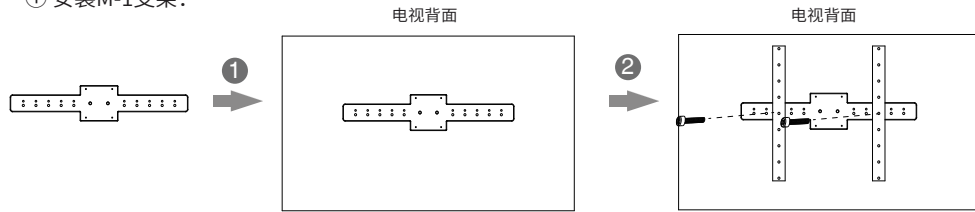
包装箱包含以下配件。如果发现遗失任何配件，请联系你的系统管理员。



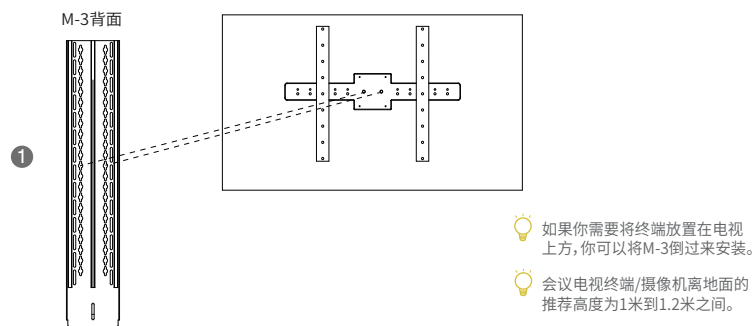
安装电视支架2

方法1

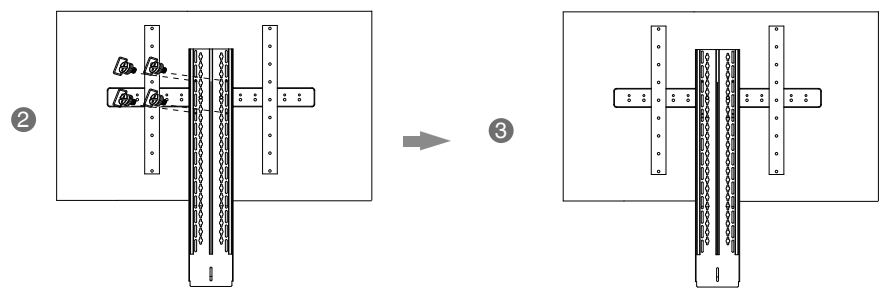
① 安装M-1支架:



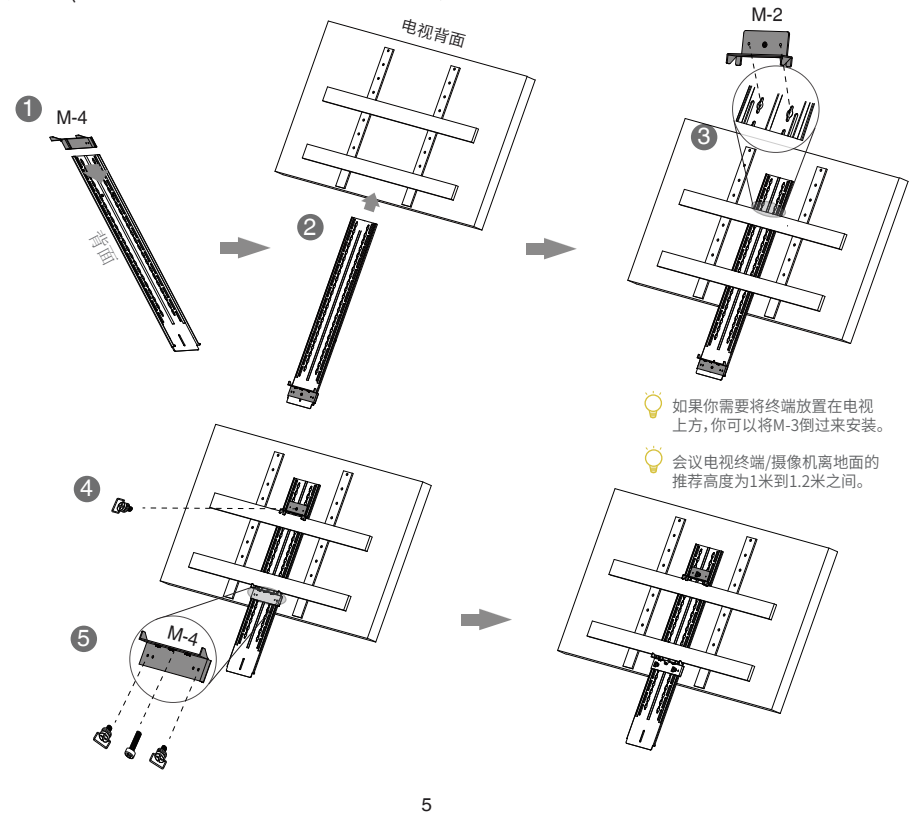
② 安装M-3支架:



4



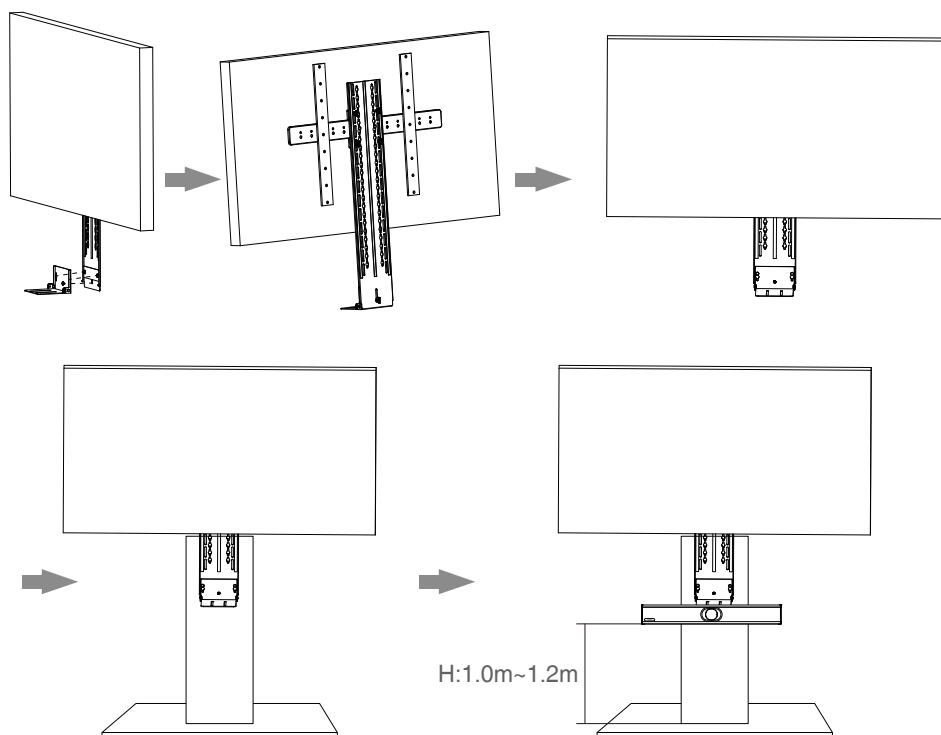
方法2(仅适用于带有电视移动推车的场合)



5

安装MeetingEye 600/MeetingEye 400/UVC40/MeetingBar A20/MeetingBar A30

Meeting Eye 600/MeetingEye 400/UVC40/MeetingBar A20/MeetingBar A30可以相同方式挂在电视挂架上，以下是安装MeetingEye 400的示例：



Regulatory Notices

- Operating Ambient Temperatures**
- Operating temperature: -32 to 104°F (0 to 40°C)
 - Relative humidity: 5% to 90%, noncondensing
 - Storage temperature: -22 to +160°F (-30 to +70°C)

Warranty

Our product warranty is limited only to the unit itself, when used normally in accordance with the operating instructions and the system environment. We are not liable for damage or loss resulting from the use of this product, or for any claim from a third party. We are not liable for problems with Yealink device arising from the use of this product; we are not liable for financial damages, lost profits, claims from third parties, etc., arising from the use of this product.

Explanation of the symbols

- DC symbol
- is the DC voltage symbol.
- WEEE Warning symbol

To avoid the potential effects on the environment and human health as a result of the presence of hazardous substances in electrical and electronic equipment, and users of electrical and electronic equipment should understand the meaning of the crossed-out wheeled bin symbol. Do not dispose of WEEE as unsorted municipal waste and have to collect such WEEE separately.

Restriction of Hazardous Substances Directive (RoHS)
This device complies with the requirements of the EU RoHS Directive. Statements of compliance can be obtained by contacting support@yealink.com.

Safety Instructions

Save these instructions. Read these safety instructions before use!

⚠️ General Requirements

- Before you install and use the device, read the safety instructions carefully and observe the situation during operation.
- During the process of storage, transportation, and operation, please always keep the device dry and clean, avoid collision and crash.
- Please attempt not to dismantle the device by yourself. In case of any discrepancy, please contact the appointed maintenance center for repair.
- Please refer to the relevant laws and statutes while using the device. Legal rights of others should be respected as well.

⚠️ Environmental Requirements

- Place the device at a well-ventilated place. Do not expose the device under direct sunlight.
- Keep the device dry and free of dusts.
- Do not place the device on or near any inflammable or fire-vulnerable object, such as rubber-made materials.
- Keep the device away from any heat source or bare fire, such as a candle or an electric heater.

⚠️ Operating Requirements

- Do not let a child operate the device without guidance.
- Do not let a child play with the device or any accessory in case of accidental swallowing.
- Please use the accessories provided or authorized by the manufacturer only.
- The power supply of the device shall meet the requirements of the input voltage of the device. Please use the provided surge protection power socket only.
- Before plugging or unplugging any cable, make sure that your hands are completely dry.
- Do not spill liquid of any kind on the product or use the equipment near water, for example, near a bathtub, washbowl, kitchen sink, wet basement or near a swimming pool.
- During a thunderstorm, stop using the device and disconnect it from the power supply. Unplug the power plug and the Asymmetric Digital Subscriber Line (ADSL) twisted pair (the radio frequency cable) to avoid lightning strike.

About Yealink

Yealink is a global leading provider of enterprise communication and collaboration solutions, offering video conferencing service to worldwide enterprises. Focusing on research and development, Yealink also insists on innovation and creation. With the outstanding technical patents of cloud computing, audio, video and image processing technology, Yealink has built up a panoramic collaboration solution of audio and video conferencing by merging its cloud services with a series of endpoints products. As one of the best providers in more than 140 countries and regions including the US, the UK and Australia, Yealink ranks No.1 in the global market share of SIP phones shipments.

Technical Support

Visit Yealink Wiki (<http://support.yealink.com/>) for the latest firmware, guides, FAQ, Product documents, and more. For better service, we sincerely recommend you to use Yealink Ticketing system (<https://ticket.yealink.com/>) to submit all your technical issues.



YEALINK(XIAMEN) NETWORK TECHNOLOGY CO.,LTD.
Web: www.yealink.com
Copyright©2020 YEALINK(XIAMEN) NETWORK TECHNOLOGY CO.,LTD.All rights reserved.